

# Equibras

A NEW AGE OF POTLINING

# POT RAMMING MACHINE E61



# POT RAMMING MACHINE E61

The E61 is the safest and most reliable ramming equipment available. Its collaborative pressure compaction technology delivers superior paste ramming quality, efficiency and optimized use.

- Rolls on potshell deck plate
- No vibration
- Noise less than 72 dB
- Ramming module equipped with rotating and retractable compaction arm
- Low maintenance
- Small dimensions
- Can operate under magnetic fields
- Compatible with different technologies
- Ergonomic
- Lightweight
- 4.0 technologies ready
- Patented equipment
- Operated by remote control
- User friendly through the HMI



## Pot Ramming Machine E61

Made of a motorized structure and a ramming module, the equipment can perform the ramming process of the electrolysis cells on different type of joints.

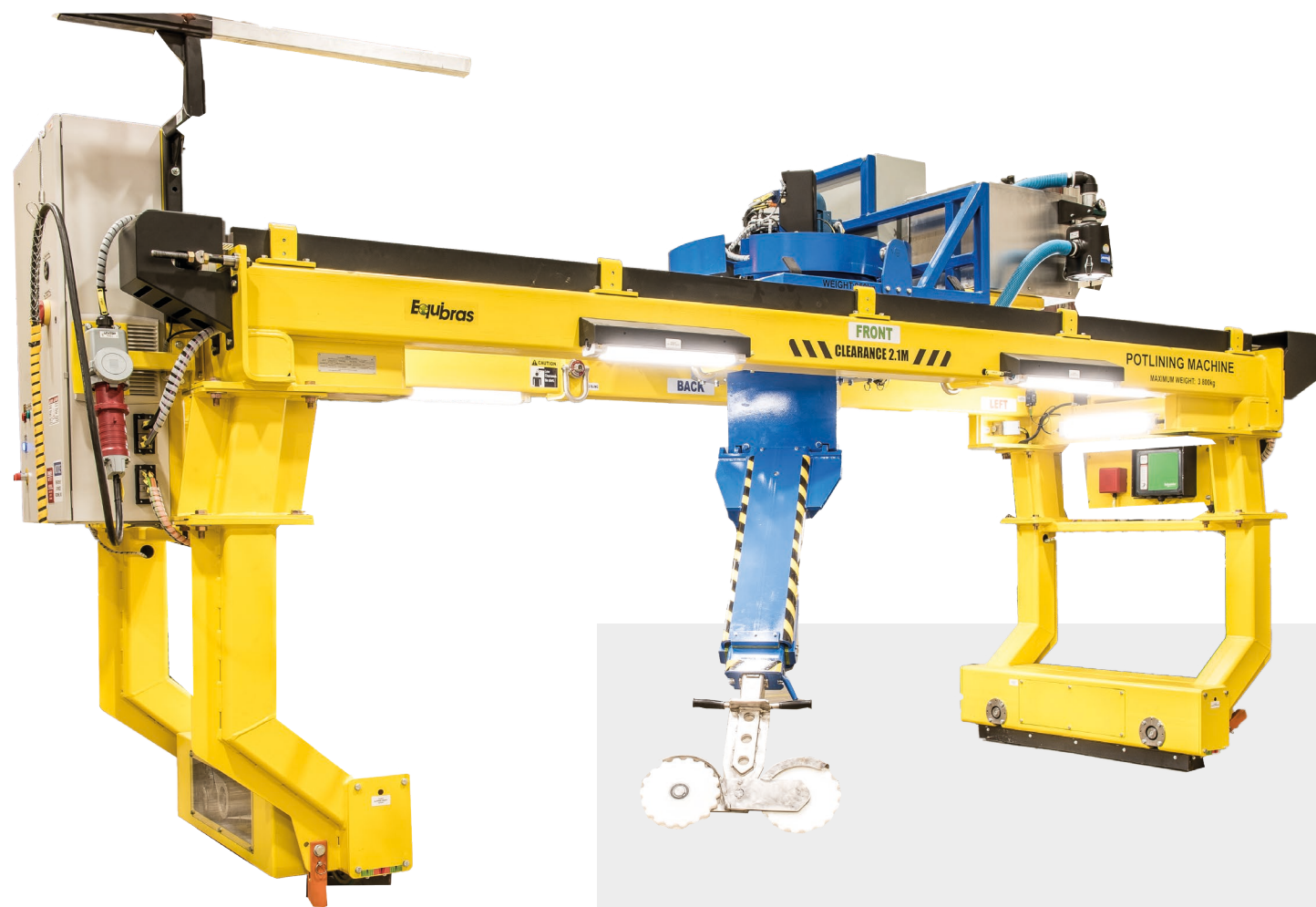


Remote Control



HMI

# RAMMING PROCESS



Pot Ramming Machine E61

Equibras proposes a compaction method by pressure. Compatible with different technologies, the pot ramming machine applies pressure evenly to the paste, which provides consistent compaction rate.

## Specifications

- Ramming by pressure
- Compaction with ramming wheels
- Noise less than 72 dB
- Uniform compaction rate
- Lightweight compaction tools
- No vibration



Ramming Wheels

# SMART 4.0 DATA ACQUISITION SYSTEM FOR THE POTLINING PROCESS

Potlining activities implies various resources and are performed in dynamic working environments. Therefore, 4.0 systems used within these operation must be flexible to efficiently adapt to the process.

With a view to maximize collaboration between 4.0 solutions, the operator, the equipment, the materials and even the operation itself, Equibras has developed the Equismart.

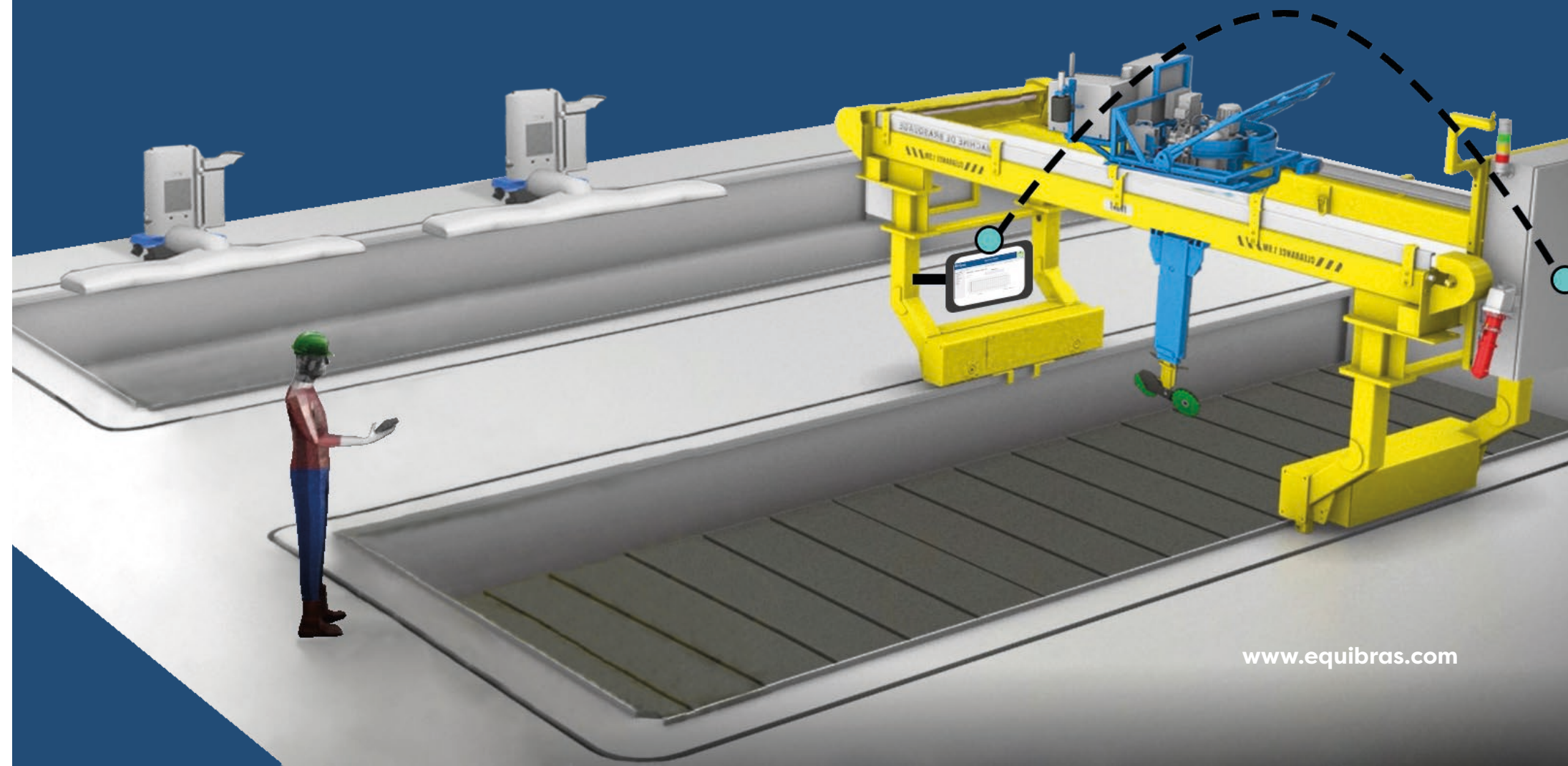
Specifically designed for the potlining process, the system features:

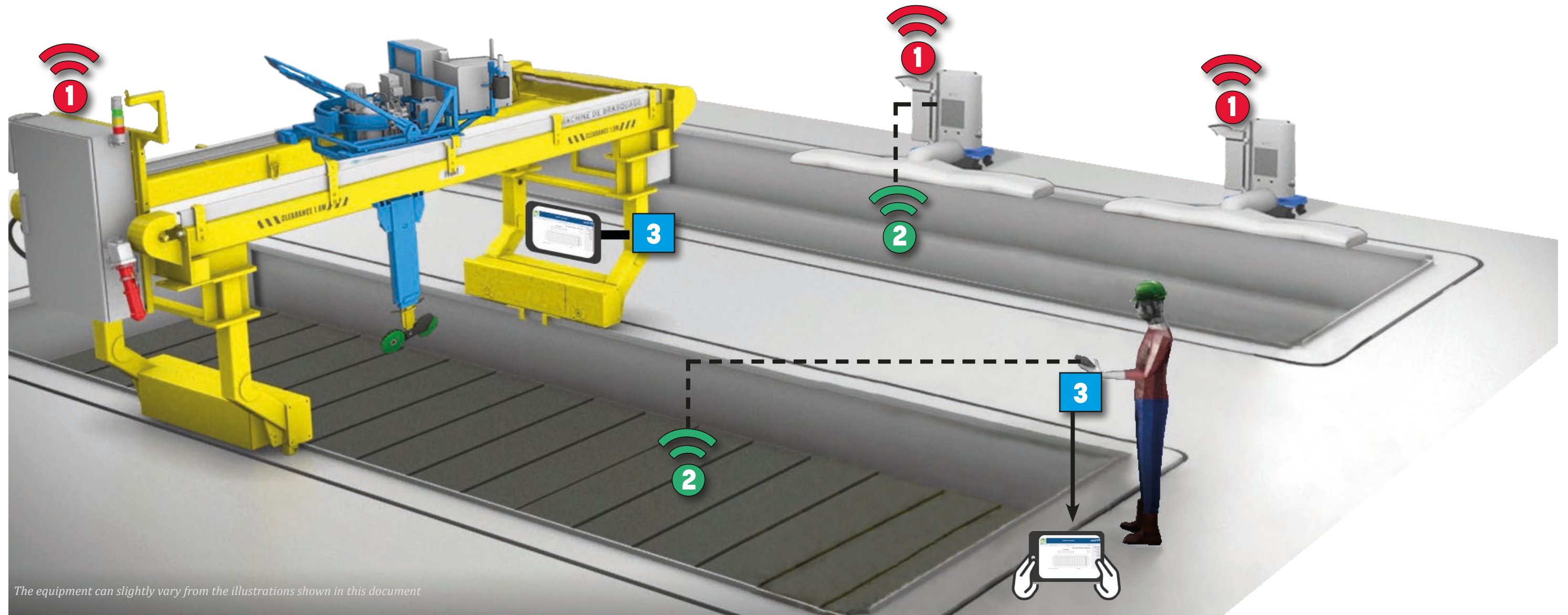
- Visualization, configuration and management of the data within the interface
- Assistance for the operators
- Automatic report production
- Creation and classification of operation sheets
- Visual and easy to consult charts
- Insights on on-going operations
- Maintenance data on ramming equipment
- Big data analysis
- Extend existing machine data collection with sensors
- Export and printing of the documents

**Equismart**

## The Equismart Makes the Data VISIBLE

The Equismart is the first 4.0 data acquisition system for the potlining process and equipment. Simple to implement and to maintain, the system features an interactive interface, which provides a direct access to the collected data. From monitoring on-going operations and equipment parts to big data analysis, the Equismart helps optimizing potlining operations as well as the maintenance and quality process.





*The equipment can slightly vary from the illustrations shown in this document*

## LEGEND



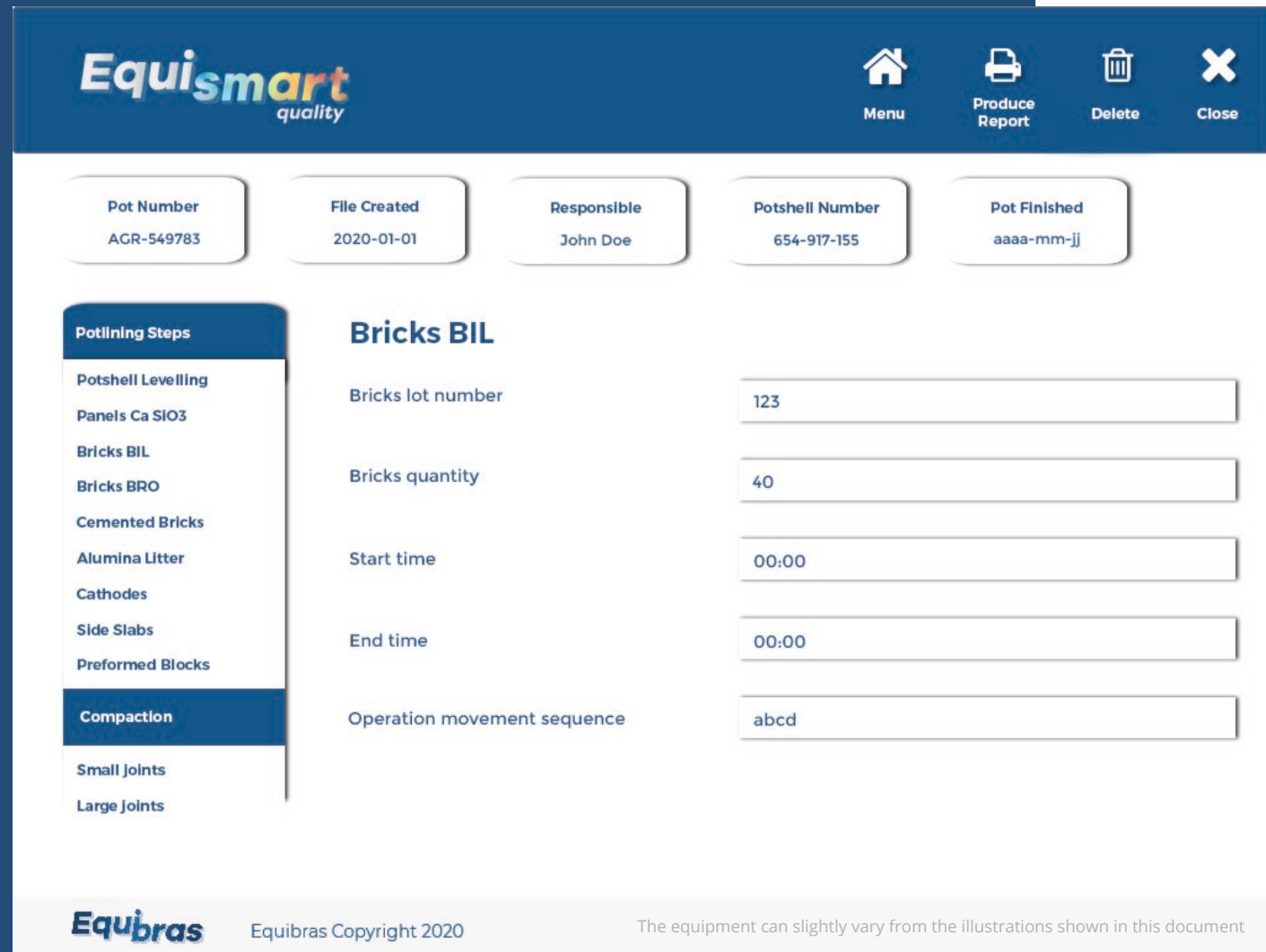
Data are collected on on-going operation and equipment components



Environment data such as temperature and air quality, are measured by the system



The collected data can be interpreted, analyzed and managed in real-time within the user interfaces



# SIMPLIFYING DATA ACQUISITION & MANAGEMENT

The Equismart helps simplifying implementation of data acquisition system thanks to its interactive and 4.0 functions.

## Quality Module

The quality module helps optimizing potlining operations. It features the acquisition, configuration and interpretation of on-going data operation.

- Pot ramming process critic data gathering in real time
- Production reports

## Analysis Module

The analysis module allows to optimize the use of the collected data. It features the interpretation and the analysis of the data.

## Maintenance Module

The maintenance module allows to optimize the performance of the ramming equipment.

- Monitoring of the equipment parts and components in real time

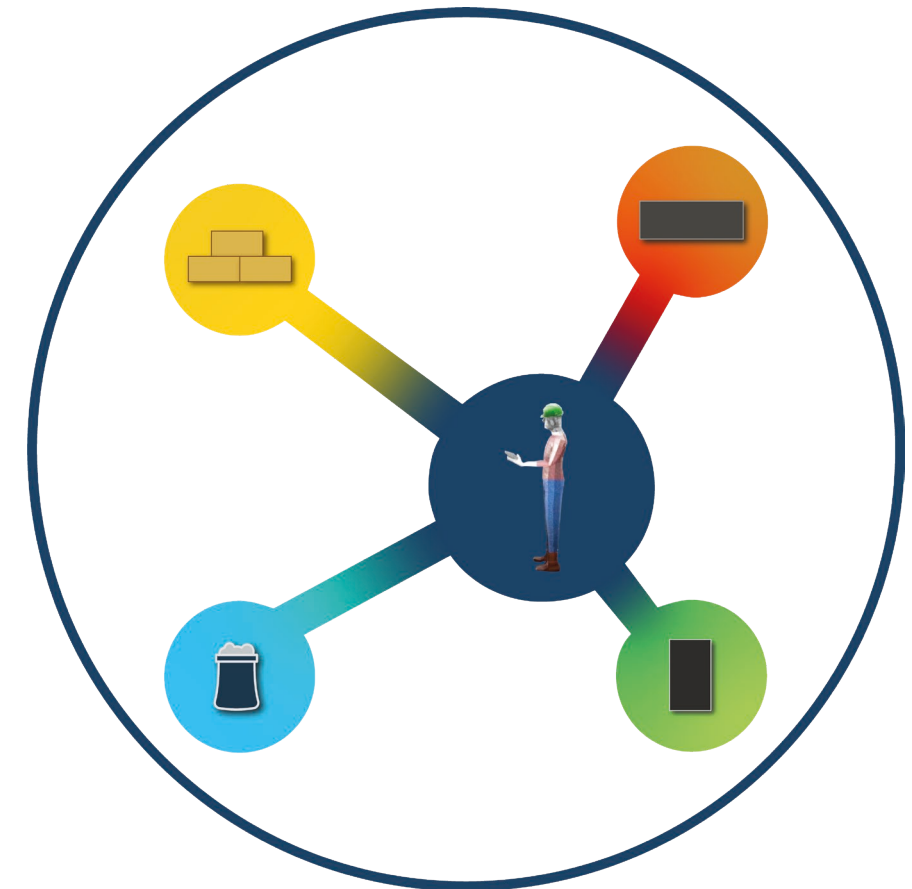
# COLLABORATIVE MODE

The collaborative mode optimizes the relation between the operator, the equipment, the materials and the operation itself

## Application

- Paste ramming
- Installation and handling of materials
- Surface repair
- Temperature control
- Cutting and assembling
- Risk and hazard prevention

Note: application may vary depending on the client, technology and selected options.



[www.equibras.com](http://www.equibras.com)  
[equibras@equibras.ca](mailto:equibras@equibras.ca)

***Equibras***